

figure **272**

ends form flange
form straight

FLOAT VALVE

body material	nominal pressure	nominal diameter	max temperature
A grey cast iron	B 10 bar	DN 25-200	120°C



correspond to the pressure equipment directive 97/23/EC marking CE for Dn≥32

FEATURES

- high tightness (leakproofness class - A acc. EN - 12266 - 1)
- environment-friendly
- no maintenance
- flanges drilled according to EN 1092-2
- face-to-face dimension according to EN 558-1 series 1

APPLICATION

- hot and cold water plants
- neutral fluids
- industrial technologies
- heat engineering

Data given can be changed without notice.

Edition 12/2012

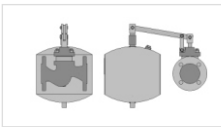
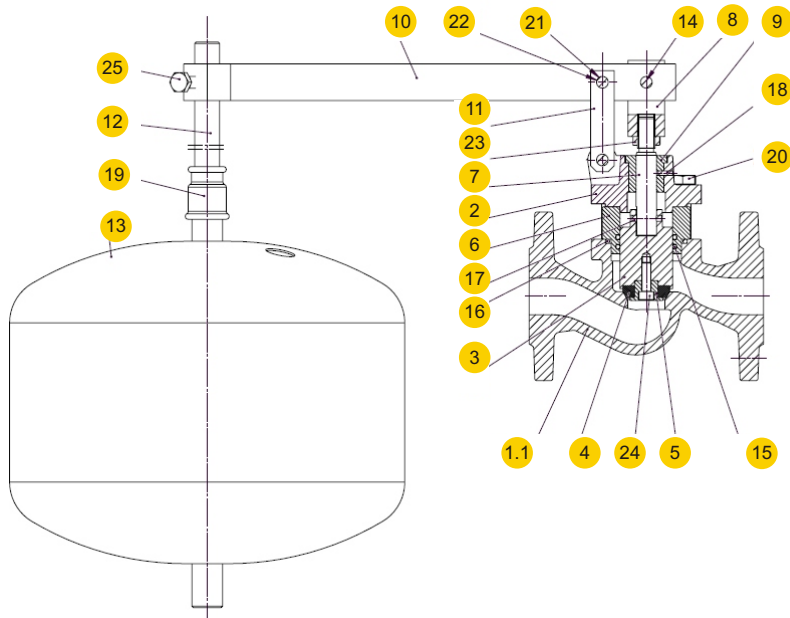


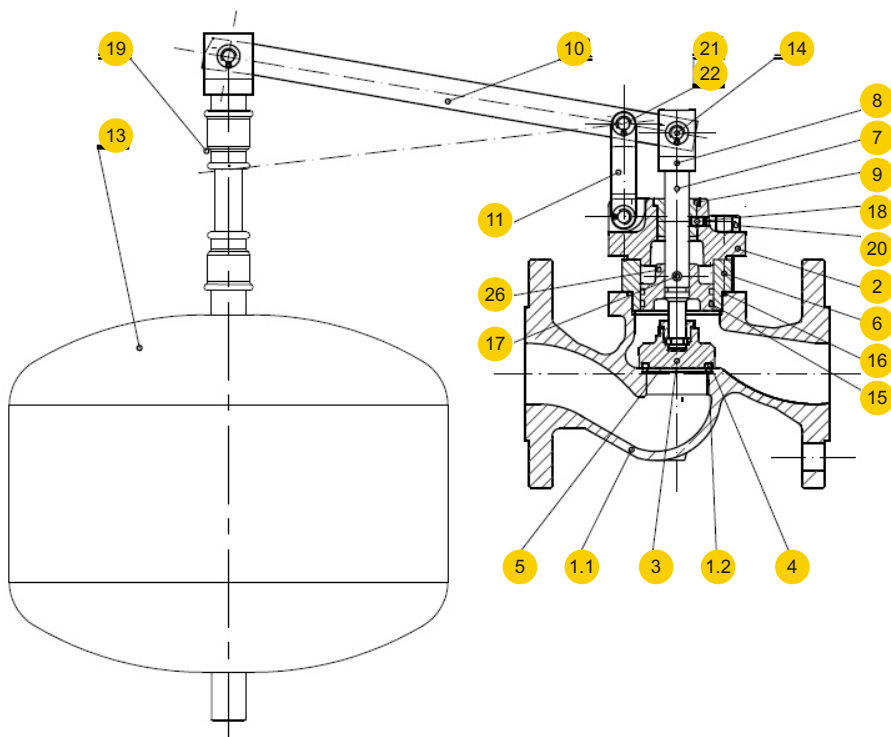
figure	272
ends form	flange straight

MATERIALS

DN 25-80



DN 100-200



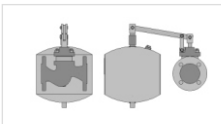


figure 272

ends form flange straight

MATERIALS

body material		A	
type		16 (DN 25-80)	06 (DN 100-200)
1.1	body	EN – GJL-250 5.1301 (ex.JL1040)	
1.2	seat ring	-	X12Cr13 1.4006
2	cover	EN – GJL-250 5.1301 (ex.JL1040)	
3	disc	X20Cr13 1.4021	G-X20Cr14
4	disc gasket	EPDM	
5	gasket holder	X20Cr13 1.40021	-----
6	piston sleeve	CuZn39Pb	CuSn11 P.-C
7	stem	X20Cr13 1.4021	
8	stem fork	S235JR zinc galvanized	
9	stem sleeve	CuZn39Pb	
10	lever	S235JR zinc galvanized	
11	connector	S235JR zinc galvanized	
12	rod	S235JR zinc galvanized	-----
13	float	S235JR epoxide	
14	pin	X20Cr13 1.40021	
15,16	packing ring	EPDM	
17,18	straight pin	carbon steel	
19	reducer	malleable cast iron	
20	hexagon bolt	8.8 A2A	
21	washer	carbon steel	
22	cotter pin	X5CrNi18-10 1.4301	
23	nut	8.8 A2A	-----
24	bolt	A2-70	-----
25	hexagon bolt	8.8 A2A	-----
26	piston	-----	CuSn11 P.-C
max. temperature		120°C	

Data given can be changed without notice.

Edition 12/2012

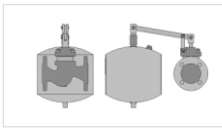
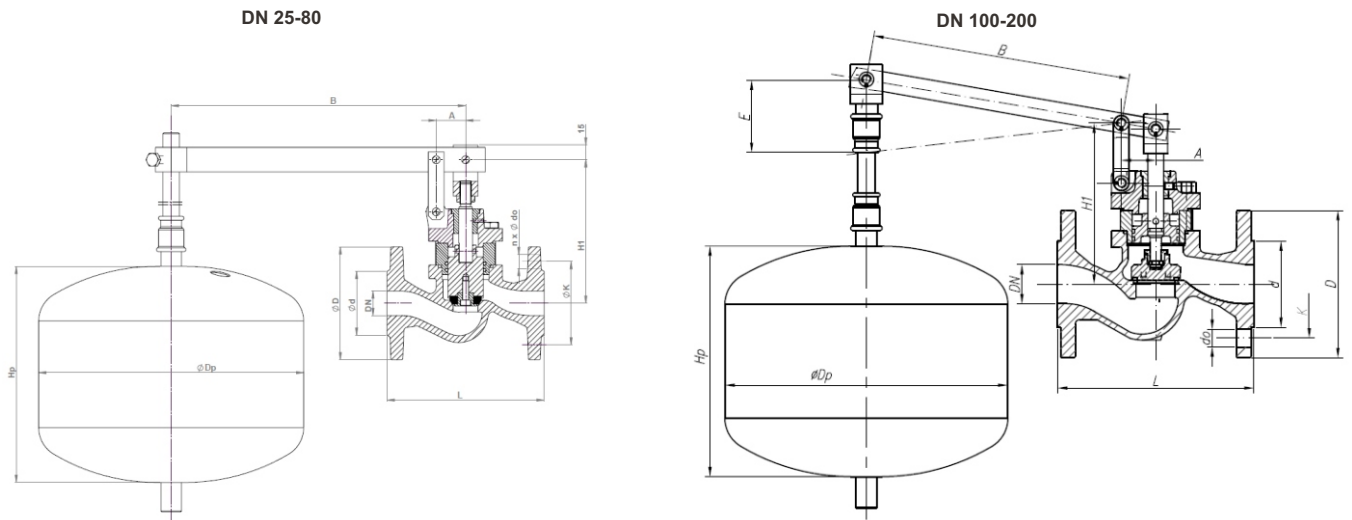


figure **272**
ends form flange
form straight

DIMENSIONS



DN	PN 10													Kvs	
	D	L	K	d	do	n	A	B	E	H1	Hp	Dp			
mm													m ³ /h	kg	
25	115	160	85	65	14	4	30	700	-	146	220	270	13	9,5	
32	140	180	100	75	19	4	30	700	-	155	220	270	17,5	10,7	
40	150	200	110	84	19	4	35	700	-	166	200	350	25	17,0	
50	165	230	125	99	19	4	35	700	-	175	200	350	40	20,0	
65	185	290	145	118	19	4	45	700	-	221	250	400	62	26,0	
80	200	310	160	132	19	8	55	800	-	249	250	400	72	32,5	
100	220	350	180	156	19	8	70	900	360	241	300	400	104	47,0	
125	250	400	210	184	19	8	85	1100	440	317	300	500	156	69,0	
150	285	480	240	211	23	8	100	1200	480	361	300	500	213	98,0	
200	340	600	295	266	23	8	135	1450	590	437	400	500	360	149,0	

Data given can be changed without notice.

Edition 12/2012

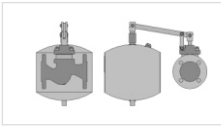
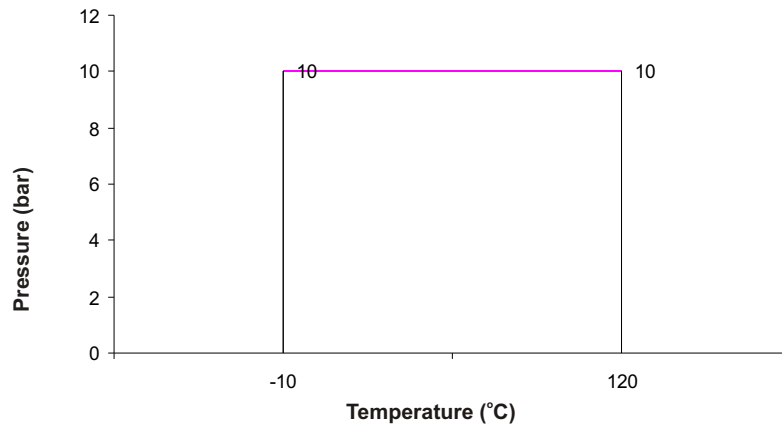


figure **272**

ends form flange
form straight

PRESSURE-TEMPERATURE RATINGS



Allowed working conditions range
PN 10 EN-GJL-250

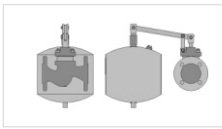
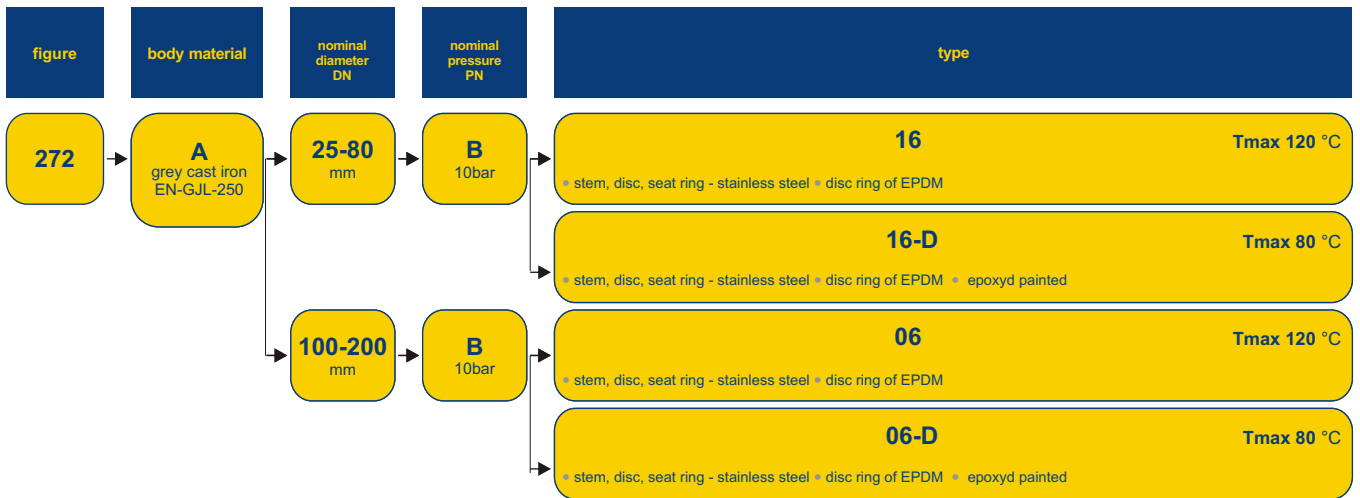


figure	272
ends form	flange straight

TYPES



ORDERING

To place an order please use our product number (index)

